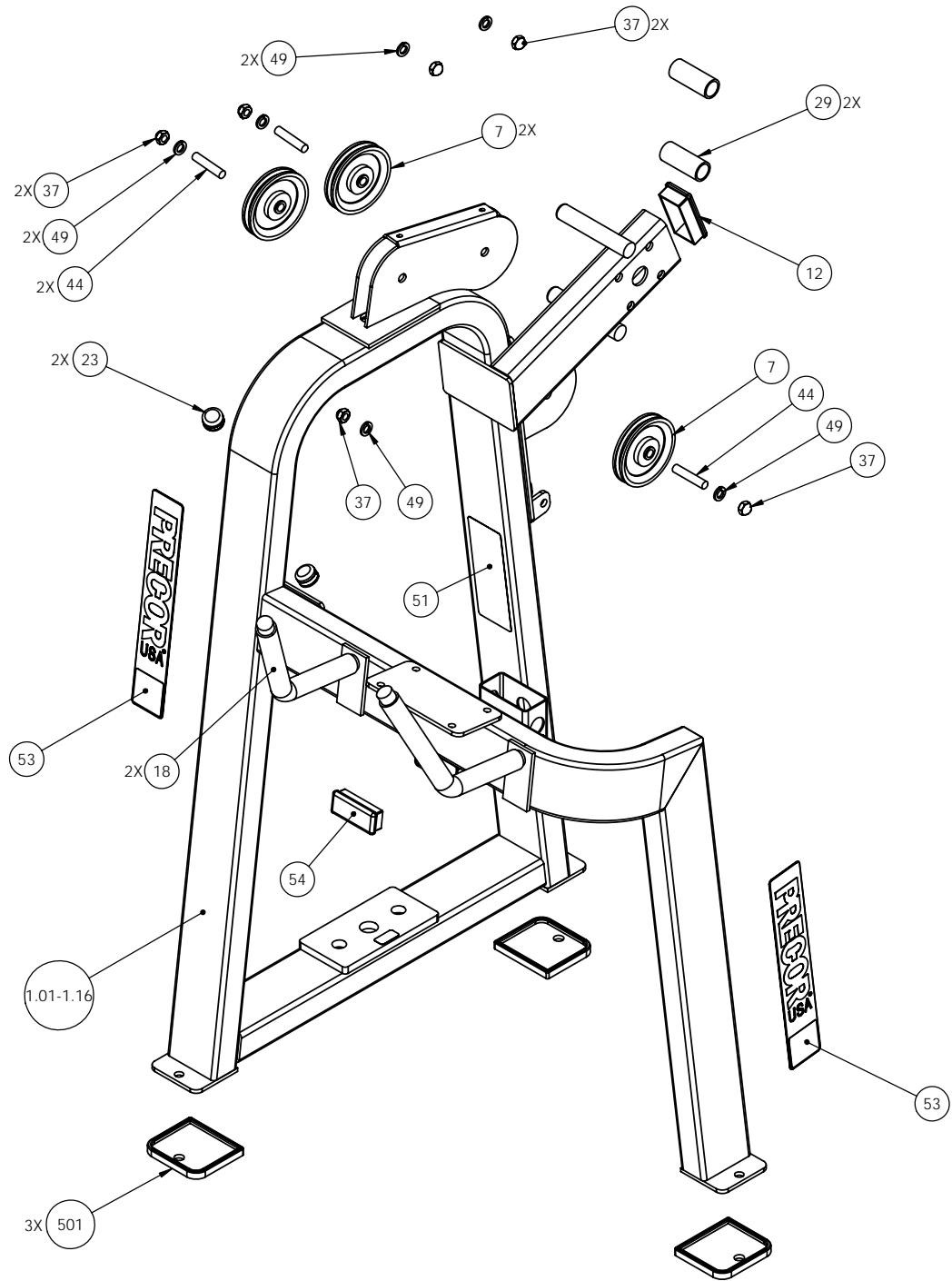
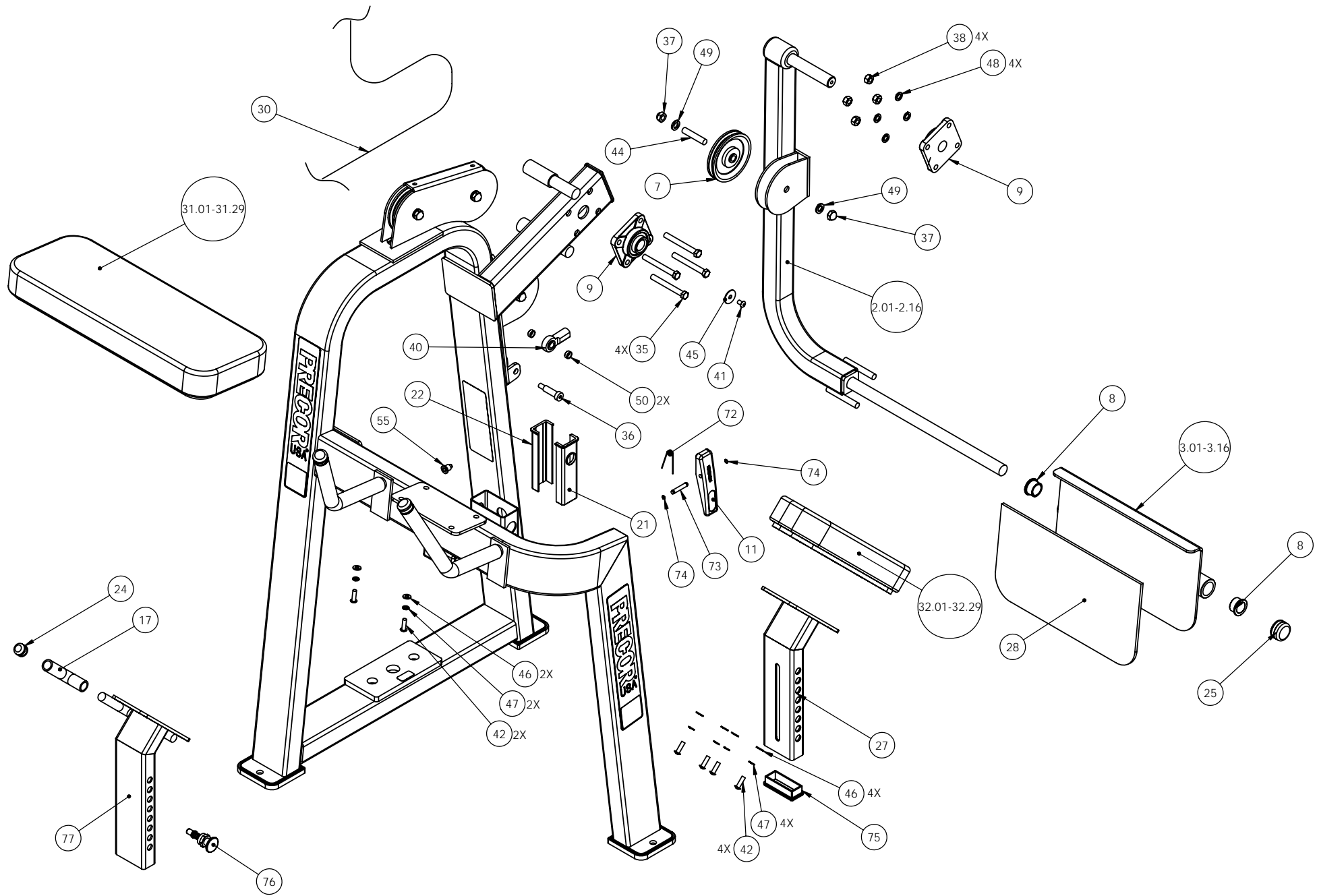


618	P/N : CW30950-102	SUBREV : C
DRAWN BY : CT	DATE : 11.05.05	SHEET 1 OF 4

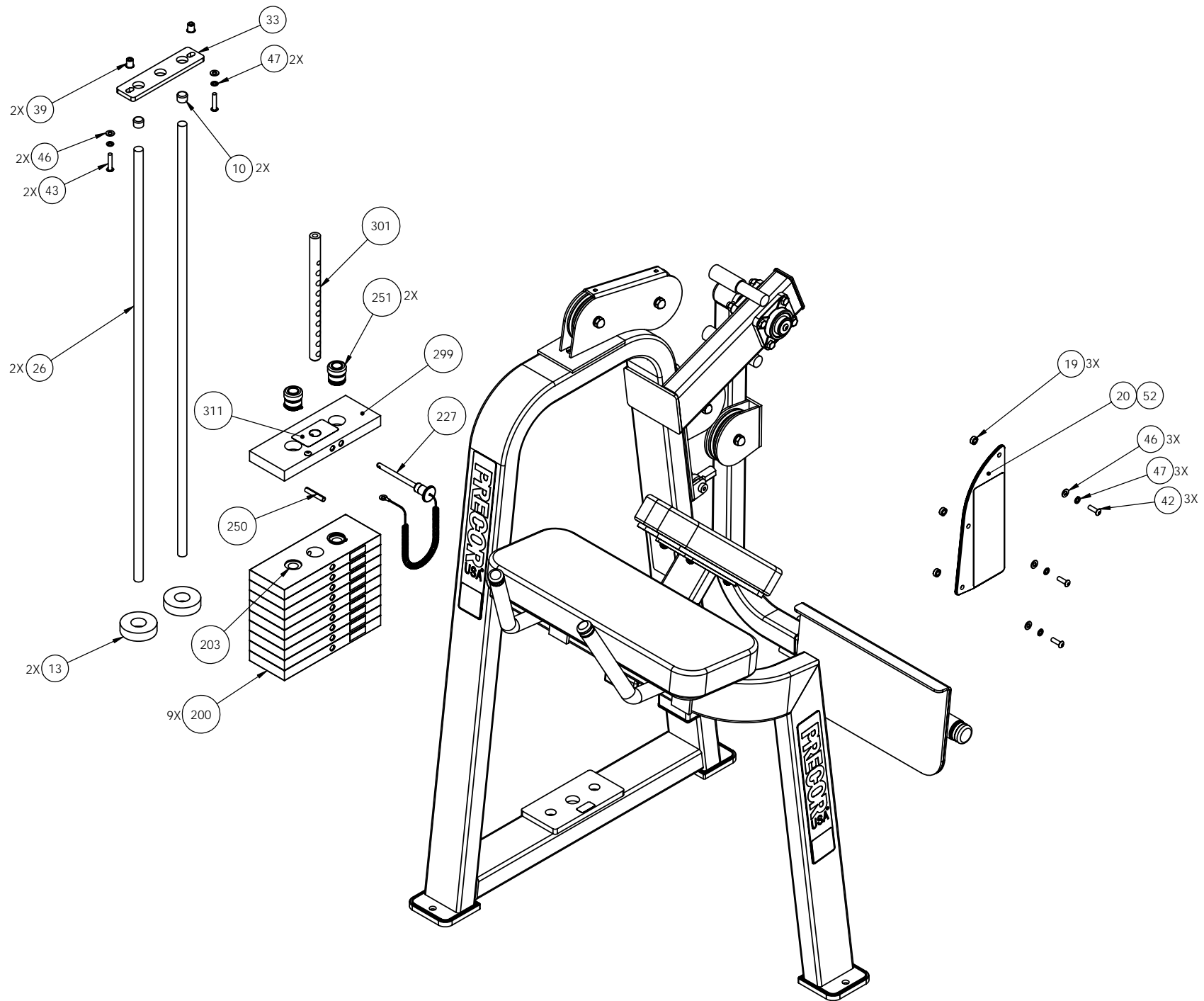


618	P/N : CW30950-102	SUBREV : C
DRAWN BY : CT	DATE : 11.05.05	SHEET 2 OF 4



CHEST ADJ. PRIOR
TO 6/23/2005

618	P/N : CW30950-102	SUBREV : C
DRAWN BY : CT	DATE : 11.05.05	SHEET 3 OF 4



618	P/N : CW30950-102	SUBREV : C
DRAWN BY : CT	DATE : 11.05.05	SHEET 4 OF 4

618 Glute Isolator

Part Number	Description	Bubble Number
CW618SA1-212	ASSY,FRAME,MAIN,618T,SKY WHITE	1.01
CW618SA1-222	ASSY,FRAME,MAIN,618T,BLACK	1.02
CW618SA1-231	ASSY,FRAME,MAIN,618,RED	1.03
CW618SA1-241	ASSY,FRAME,MAIN,618,PLAT SPRKLE	1.04
CW618SA1-251	ASSY,FRAME,MAIN,618,SILVER	1.05
CW618SA1-261	ASSY,FRAME,MAIN,618,BLUE	1.06
CW618SA1-271	ASSY,FRAME,MAIN,618,CHARCOAL	1.07
CW618SA1-281	ASSY,FRAME,MAIN,618,CATH GRAY	1.08
CW618SA1-291	ASSY,FRAME,MAIN,618,SILVER VIEN	1.09
CW618SA1-312	ASSY,FRAME,MAIN,618T,STONE HG	1.11
CW618SA1-321	ASSY,FRAME,MAIN,618,TITANIUM HG	1.12
CW618SA1-322	ASSY,FRAME,MAIN,618T,TITANIUM HG	1.12
CW618SA1-331	ASSY,FRAME,MAIN,618,WHITE GLOSS	1.13
CW618SA1-341	ASSY,FRAME,MAIN,618,BLACK ONYX	1.14
CW618SA1-352	ASSY,FRAME,MAIN,618T,LT. BRONZE	1.15
CW618SA1-361	ASSY,FRAME,MAIN,618,SAPPHIRE BL	1.16
CW618SA1-362	ASSY,FRAME,MAIN,618T,SAPPHIRE BL	1.16
CW618SA2-211	ASSY,ARM,618,SKY WHITE	2.01
CW618SA2-221	ASSY,ARM,618,BLACK	2.02
CW618SA2-231	ASSY,ARM,618,RED	2.03
CW618SA2-241	ASSY,ARM,618,PLAT SPKLE	2.04
CW618SA2-251	ASSY,ARM,618,SILVER	2.05
CW618SA2-261	ASSY,ARM,618,BLUE	2.06
CW618SA2-271	ASSY,ARM,618,CHARCOAL	2.07
CW618SA2-281	ASSY,ARM,618,CATH GRY	2.08
CW618SA2-291	ASSY,ARM,618,SILVER VIEN	2.09
CW618SA2-311	ASSY,ARM,618,STONE HG	2.11
CW618SA2-321	ASSY,ARM,618,TITANIUM HG	2.12
CW618SA2-331	ASSY,ARM,618,WHITE GLOSS	2.13
CW618SA2-341	ASSY,ARM,618,BLACK ONYX	2.14
CW618SA2-351	ASSY,ARM,618,LIGHT BRONZE	2.15
CW618SA2-361	ASSY,ARM,618,SAPPHIRE BLUE	2.16
CW618SA3-211	ASSY,FOOT PLATE,618,SKY WHITE	3.01
CW618SA3-221	ASSY,FOOT PLATE,618,BLACK	3.02
CW618SA3-231	ASSY,FOOT PLATE,618,RED	3.03
CW618SA3-241	ASSY,FOOT PLATE,618,PLAT SPKLE	3.04
CW618SA3-251	ASSY,FOOT PLATE,618,SILVER	3.05
CW618SA3-261	ASSY,FOOT PLATE,618,BLUE	3.06
CW618SA3-271	ASSY,FOOT PLATE,618,CHARCOAL	3.07
CW618SA3-281	ASSY,FOOT PLATE,618,CATH GRY	3.08
CW618SA3-291	ASSY,FOOT PLATE,618,SILVER VIEN	3.09
CW618SA3-311	ASSY,FOOT PLATE,618,STONE HG	3.11
CW618SA3-321	ASSY,FOOT PLATE,618,TITANIUM HG	3.12
CW618SA3-331	ASSY,FOOT PLATE,618,WHITE GLOSS	3.13
CW618SA3-341	ASSY,FOOT PLATE,618,BLACK ONYX	3.14
CW618SA3-351	ASSY,FOOT PLATE,618,LIGHT BRONZE	3.15
CW618SA3-361	ASSY,FOOT PLATE,618,SAPPHIRE BLUE	3.16
CW30052-101	LABEL,INSTRUCTION,618	4
CWAC1009-101	PULLEY, 4 1/2 DIA. X 1/2 ID	7

CW10043-134	BUSHING, BRONZE, 1" ID X 1 1/4" OD	8
CW12405-101	PILLOW BLOCK, BEARING, FLANGE, 4 BO	9
CW12404-101	CAP, GUIDE ROD,DIA 3/4, BLK	10
CW32460-321	ASSY, RATCHETING LEVER, TITANIUM	11
CW11311-102	ENDCAP, REC TUBE, 2X4, BLK PLASTIC	12
CW12402-101	BUMPER, WEIGHT STACK, BLK RUBBER	13
CWGR2505-000	GRIP,RUBBER,3/4" DIA, 5"	17
CWGR2613-750	GRIP,RUBBER, 1" DIA, 13-3/4"	18
CWAC1228-901	SPACER, ALU,.328 ID X .625 OD X .25	19
CW30007-101	PLACARD, CLEAR LEXAN, ANGLED	20
CWAC1236-102	GUIDE INSERT, PLASTIC WITH HOLE, BL	21
CWAC1236-101	GUIDE INSERT, PLASTIC WITHOUT HOLE,	22
CWAC218-901	HANDLE END CAP W/SET SCREWS, DIA 1"	23
CWAC220-901	HANDLE END CAP W/SET SCREWS, DIA 3/	24
CWAC222-901	ASSY, SHAFT END CAP W/SET SCREWS, D	25
CWPF1212-711	GUIDE ROD, 3/4 X 42 5/8 (#4), CHM	26
CW32214-711	ASSEMBLY, CHEST ADJUSTMENT, 45 DEG,	27
CW30013-119	CUT PIECE, CREPE, 1/4 X 8 3/4 X 16	28
CWGR2603-000	GRIP,RUBBER, 1" DIA.,3"	29
CWCLGP076-500	ASSY, CABLE, 618	30
CWPD1104B-101	PAD,9X24,4HOLES,W/BP,BLACK	31.01
CWPD1104B-102	PAD,9X24,4HOLES,W/BP,RYL BL	31.02
CWPD1104B-103	PAD,9X24,4HOLES,W/BP,DVE GRY	31.03
CWPD1104B-104	PAD,9X24,4HOLES,W/BP,CROCUS	31.04
CWPD1104B-105	PAD,9X24,4HOLES,W/BP,GROTTO	31.05
CWPD1104B-106	PAD,9X24,4HOLES,W/BP,GRAPHITE	31.06
CWPD1104B-107	PAD,9X24,4HOLES,W/BP,RED	31.07
CWPD1104B-108	PAD,9X24,4HOLES,W/BP,CHN GRN	31.08
CWPD1104B-109	PAD,9X24,4HOLES,W/BP,TURQSE	31.09
CWPD1104B-110	PAD,9X24,4HOLES,W/BP,RASP	31.1
CWPD1104B-111	PAD,9X24,4HOLES,W/BP,PLUM	31.11
CWPD1104B-112	PAD,9X24,4HOLES,W/BP,REGIMENT	31.12
CWPD1104B-113	PAD,9X24,4HOLES,W/BP,SPC BLUE	31.13
CWPD1104B-115	PAD,9X24,4HOLES,W/BP,BLK LTHR	31.15
CWPD1104B-116	PAD,9X24,4HOLES,W/BP,NVBL LTH	31.16
CWPD1104B-117	PAD,9X24,4HOLES,W/BP,PUTTY	31.17
CWPD1104B-118	PAD,9X24,4HOLES,W/BP,IMPRL BLUE	31.18
CWPD1104B-119	PAD,9X24,4HOLES,W/BP,YEW GREEN	31.19
CWPD1104B-120	PAD,9X24,4HOLES,W/BP,DUSTY JADE	31.2
CWPD1104B-121	PAD,9X24,4HOLES,W/BP,TERRA COTTA	31.21
CWPD1104B-122	PAD,9X24,4HOLES,W/BP,PAPRIKA	31.22
CWPD1104B-123	PAD,9X24,4HOLES,W/BP,ASH LTHR	31.23
CWPD1104B-124	PAD,9X24,4HOLES,W/BP,CERULEAN LTHR	31.24
CWPD1104B-125	PAD,9X24,4HOLES,W/BP,CHARCOAL LTHR	31.25
CWPD1104B-126	PAD,9X24,4HOLES,W/BP,HUNTER LTHR	31.26
CWPD1104B-127	PAD,9X24,4HOLES,W/BP,MOSS LTHR	31.27
CWPD1104B-128	PAD,9X24,4HOLES,W/BP,SPICE LTHR	31.28
CWPD1104B-129	PAD,9X24,4HOLES,W/BP,TOMATO LTHR	31.29
CWPD1207B-101	PAD,5X9X14.5,4HOLES,W/BP,BLACK	32.01
CWPD1207B-102	PAD,5X9X14.5,4HOLES,W/BP,RYL BL	32.02
CWPD1207B-103	PAD,5X9X14.5,4HOLES,W/BP,DVE GRY	32.03

CWPD1207B-104	PAD,5X9X14.5,4HOLES,W/BP,CROCUS	32.04
CWPD1207B-105	PAD,5X9X14.5,4HOLES,W/BP,GROTTO	32.05
CWPD1207B-106	PAD,5X9X14.5,4HOLES,W/BP,GRAPHITE	32.06
CWPD1207B-107	PAD,5X9X14.5,4HOLES,W/BP,RED	32.07
CWPD1207B-108	PAD,5X9X14.5,4HOLES,W/BP,CHN GRN	32.08
CWPD1207B-109	PAD,5X9X14.5,4HOLES,W/BP,TURQSE	32.09
CWPD1207B-110	PAD,5X9X14.5,4HOLES,W/BP,RASP	32.1
CWPD1207B-111	PAD,5X9X14.5,4HOLES,W/BP,PLUM	32.11
CWPD1207B-112	PAD,5X9X14.5,4HOLES,W/BP,REGIMENT	32.12
CWPD1207B-113	PAD,5X9X14.5,4HOLES,W/BP,SPC BLUE	32.13
CWPD1207B-115	PAD,5X9X14.5,4HOLES,W/BP,BLK LTHR	32.15
CWPD1207B-116	PAD,5X9X14.5,4HOLES,W/BP,NVBL LTH	32.16
CWPD1207B-117	PAD,5X9X14.5,4HOLES,W/BP,PUTTY	32.17
CWPD1207B-118	PAD,5X9X14.5,4HOLES,W/BP,IMPRL BL	32.18
CWPD1207B-119	PAD,5X9X14.5,4HOLES,W/BP,YEW GRN	32.19
CWPD1207B-120	PAD,5X9X14.5,4HOLES,W/BP,DSTY JD	32.2
CWPD1207B-121	PAD,5X9X14.5,4HOLES,W/BP,TER COT	32.21
CWPD1207B-122	PAD,5X9X14.5,4HOLES,W/BP,PAPRIKA	32.22
CWPD1207B-123	PAD,5X9X14.5,4HLS,W/BP,ASH LTHR	32.23
CWPD1207B-124	PAD,5X9X14.5,4HLS,W/BP,CERULAN LTHR	32.24
CWPD1207B-125	PAD,5X9X14.5,4HLS,W/BP,CHARCOAL LTH	32.25
CWPD1207B-126	PAD,5X9X14.5,4HLS,W/BP,HUNTER LTHR	32.26
CWPD1207B-127	PAD,5X9X14.5,4HLS,W/BP,MOSS LTHR	32.27
CWPD1207B-128	PAD,5X9X14.5,4HLS,W/BP,SPICE LTHR	32.28
CWPD1207B-129	PAD,5X9X14.5,4HLS,W/BP,TOMATO LTH	32.29
CWPF1016-731	BAR,,FLAT CR/HR, 3/8 X 2 X 8 1/4, 3	33
CWHCYN044-375	SCREW, HEX HEAD , BLK XYLA	35
CWRANN038-150	BOLT, SHOULDER, 3/8-16 X 1/2 X 1 1/	36
CWKADLN050-081	NUT, ACORN, 1/2-13	37
CWKMYN044-038	NUT, HEX, UNC, 7/16-14, BLK XYLAN	38
CW12537-109	NUT,INSERT,THIN-NUT,LARGE FLANGE	39
CWCLFA1064-741	ROD END, FEMALE, STEEL, ZINC, CAD,	40
CWTAYN031-050	SCREW, BUTTON HEAD, BLK XYLAN,5/16	41
CWTAYN031-100	SCREW, BUTTON HEAD, BLK XYLAN,5/1	42
CWTAYN031-150	SCREW, BUTTON HEAD, BLK XYLAN,5/16	43
CWBFNN050-250	STUD, 1/2-13 X 2 1/2	44
CWWABKN031-007	WASHER, FENDER,BLK ZN, 5/16 ID X 1	45
CWWBKN031-007	WASHER, FLAT, TYPE A, SAE, 5/16 ID	46
CWWALYN031-008	WASHER, SPLIT, 5/16 ID, BL	47
CWWALYN044-011	WASHER, SPLIT, 7/16 ID, BLK XYLAN	48
CWWALYN050-013	WASHER, SPLIT, 1/2 ID, BLK XYLAN	49
CWFA1124-901	SPACER, STEEL,5/8 OD X 1/2 ID X 1/4	50
CW30010-101	LABEL,WARNING STRENGTH	51
CW30148-101	ASSY, LABEL,INSTRUCTION,618	52
CW31756-101	LABEL, PRECOR USA ICARIAN LINE	53
CW31784-731	STOP PLUG, BLK ZN	55
CW12634-101	SPRING, TORSION 90 DEG X 0.484 X 0.	72
CW31770-742	LATCH PIVOTING PIN, CLR ZN	73
CWAMNN028-003	RING, RETAINING, 2-TURN, SPIRAL, SS	74
CW12633-101	ENDCAP, REC TUBE, LDP, 1 1/2 X 3 1	75
CW30165-751	ASSY, POP PIN, 0.450 DIA HANDLE, B	76

CW10505-721	ASSY, PLATE, WEIGHT, 05 LBS, WRKL B	200
CWAC1133-101	BUSHING, WEIGHT PLATE, LDPE PLASTIC	203
CW30172-751	ASSY, 4.00 IN WEIGHT STACK PIN AND	227
CWLDNN038-200	PIN, ROLL, DIA 3/8 X 2	250
CW30184-901	ASSY,BARREL,TOP PLATE,ALUMINUM	251
CW10535-721	PLATE, WEIGHT, SMALLTOP (STP-S), 0	281
CW10535-722	PLATE, WEIGHT, SMALLTOP (STP-S), 0	281
CW10550-721	PLATE, WEIGHT, MED TOP (MTP-S), 10	283
CW10550-722	PLATE, WEIGHT, MED TOP (MTP-S), 10	283
CW30128-711	SELECTOR STEM, 10 PLATE,0 .875 DIA,	301
CW30011-101	LABEL,WARNING WEIGHT STACK	311
CW12401-102	LABEL, WEIGHT PLATE, 10 LBS/ 4.6 KG	315
CW12401-104	LABEL, WEIGHT PLATE, 15 LBS/ 6.8 KG	317
CW12401-106	LABEL, WEIGHT PLATE, 20 LBS/ 8 KG	319
CW12401-108	LABEL, WEIGHT PLATE, 25 LBS/ 11.4 K	321
CW12401-110	LABEL, WEIGHT PLATE, 30 LBS/ 13.6 K	323
CW12401-112	LABEL, WEIGHT PLATE, 35 LBS/ 15.9 K	325
CW12401-114	LABEL, WEIGHT PLATE, 40 LBS/ 18.2 K	327
CW12401-116	LABEL, WEIGHT PLATE, 45 LBS/ 20.5 K	329
CW12401-118	LABEL, WEIGHT PLATE, 50 LBS/ 22.7 K	331
CW12401-120	LABEL, WEIGHT PLATE, 60 LBS/ 27.3 K	333
CW12401-122	LABEL, WEIGHT PLATE, 70 LBS/ 31.8 K	335
CW12401-124	LABEL, WEIGHT PLATE, 80 LBS/ 36.4 K	337
CW12401-126	LABEL, WEIGHT PLATE, 90 LBS/ 40.9 K	339
CW12401-128	LABEL, WEIGHT PLATE, 100 LBS/ 45.5	341
CW12537-109	NUT,INSERT,THIN-NUT,LARGE FLANGE	400
CW30126-101	LABEL,VINYL, PRECOR, 3.25 X 18.0	401
CWPF3143-211	SHROUD,SHEET,STEEL,3/32 THICK,4 BEN	402.01
CWPF3143-221	SHROUD,SHEET,STEEL,3/32 THICK,4 BEN	402.02
CWPF3143-231	SHROUD,SHEET,STEEL,3/32 THICK,4 BEN	402.03
CWPF3143-241	SHROUD,SHEET,STEEL,3/32 THICK,4 BEN	402.04
CWPF3143-251	SHROUD,SHEET,STEEL,3/32 THICK,4 BEN	402.05
CWPF3143-261	SHROUD,SHEET,STEEL,3/32 THICK,4 BEN	402.06
CWPF3143-271	SHROUD,SHEET,STEEL,3/32 THICK,4 BEN	402.07
CWPF3143-281	SHROUD,SHEET,STEEL,3/32 THICK,4 BEN	402.08
CWPF3143-291	SHROUD,SHEET,STEEL,3/32 THICK,4 BEN	402.09
CWPF3143-311	SHROUD,SHEET,STEEL,3/32 THICK,4 BEN	402.11
CWPF3143-321	SHROUD,SHEET,STEEL,3/32 THICK,4 BEN	402.12
CWPF3143-331	SHROUD,SHEET,STEEL,3/32 THICK,4 BEN	402.13
CWPF3143-341	SHROUD,SHEET,STEEL,3/32 THICK,4 BEN	402.14
CWPF3143-351	SHROUD,SHEET,STEEL,3/32 THICK,4 BEN	402.15
CWPF3143-361	SHROUD,SHEET,STEEL,3/32 THICK,4 BEN	402.16
CWPF3143-711	SHROUD,SHEET,STEEL,3/32 THICK,4 BEN	402.17
CWPF3144-721	SHROUD BRKT,PLATE,STEEL,1/8 THICK,1	403
CWPF3145-721	SHROUD BRKT,PLATE,STEEL,1/8 THICK,2	404
CWTAYN031-100	SCREW, BUTTON HEAD, BLK XYLAN, 5/1	405
CWWALYN031-008	WASHER, SPLIT, 5/16 ID, BL	406
CWWBKN031-007	WASHER, FLAT, TYPE A, SAE, 5/16 ID	407
CWAC1177-101	FLOOR PROTECTOR, RUBBER, 4.563 X 4.	501